

automaticinserts

intelligent fire



© PLANIKA | Ver. 04122017

FLA3 XL in casing A automatic inserts

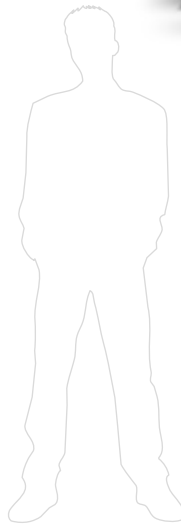
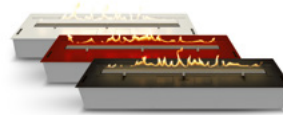
FLA3 XL in casing A

*Longer burning, the same high class design
Larger fuel tank serving your comfort*

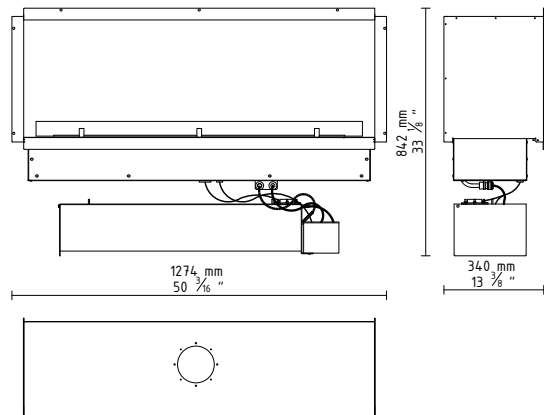


FEATURES:

- BEV* Technology
- Automatic fuel pump
- Extra large fuel tank to extend burning time
- No smell/no ash/no smoke
- WiFi controllable
- Remote controllable
- Smart Home Systems compatible
- Advanced safety sensors
- Fast Start
- Automatic shutdown in case of errors
- Child Lock
- Sleep timer
- Advanced microprocessor
- LCD display
- Control panel
- Intuitive control
- 6 levels of flame height
- Easy installation
- Possibility of joining modules
- No additional installation
- No additional ventilation required
- No chimney required
- External wireless temperature sensor
- Electrical connection required
- For indoor use
- Eco-friendly
- Certified



DIMENSIONS:



* BEV Technology – A patented process resulting in the clean burning of bio-ethanol fuel vapours.

TECHNICAL DATA:

Capacity: 25 L / [US] 6,6 gal / [UK] 5,5 gal

Burning time: 17 - 42 h

Heat output: 3,3 - 8,4 kW / 11398 - 28490 BTU

Net weight: 61,5 kg / 135,6 lbs

Air circulation: min. 1/h

Minimum room size:

please contact our Project Department for details

Power supply: 230 V / 115 V

Finish:

TOP: brushed stainless steel / optional: RAL colours / optional: black powder coated steel,

CASING: black powder coated steel, galvanized steel,

OPTIONAL FRAME: brushed stainless steel,

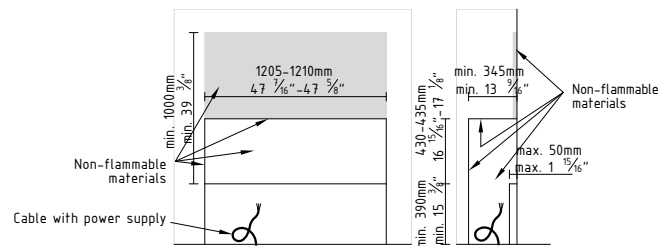
GLASS SHIELD: tempered glass

automatic inserts

FLA3 XL in casing A

FLA3 XL IN CASING A

INSTALLATION:



INDOOR INSTALLATION REQUIREMENTS:



download **PRODUCT INSTRUCTION**