

# automaticinserts

intelligent fire



© PLANIKA | Ver. 04122017

# automatic inserts

FLA 3 in casing C

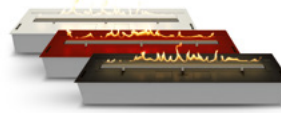
## FLA3 XL in casing C

*Flames lighting up your interior for longer*  
*The most comfortable unit among the available ones*

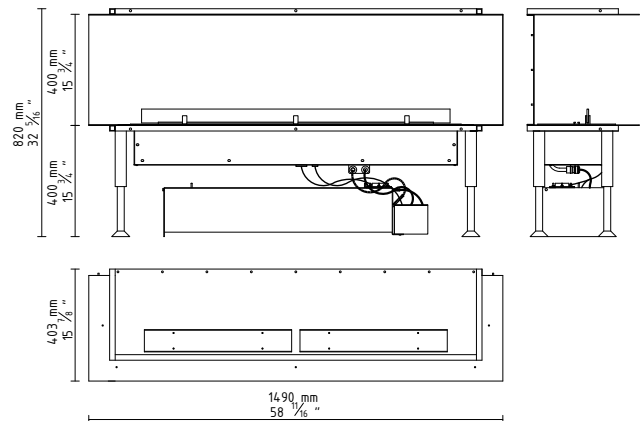


### FEATURES:

- BEV\* Technology
- Automatic fuel pump
- Extra large fuel tank to extend burning time
- No smell/no ash/no smoke
- WiFi controllable
- Remote controllable
- Smart Home Systems compatible
- Advanced safety sensors
- Fast Start
- Automatic shutdown in case of errors
- Child Lock
- Sleep timer
- Advanced microprocessor
- LCD display
- Control panel
- Intuitive control
- 6 levels of flame height
- Easy installation
- Possibility of joining modules
- No additional installation
- No additional ventilation required
- No chimney required
- External wireless temperature sensor
- Electrical connection required
- For indoor use
- Eco-friendly
- Certified



### DIMENSIONS:

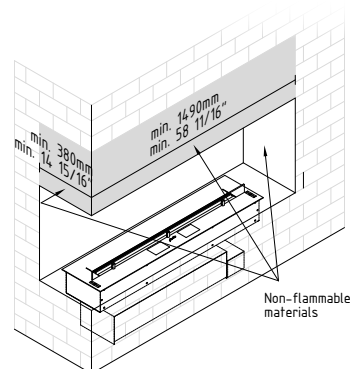


\* BEV Technology – A patented process resulting in the clean burning of bio-ethanol fuel vapours.

### TECHNICAL DATA:

**Capacity:** 25 L / [US] 6,6 gal / [UK] 5,5 gal  
**Burning time:** 17 - 42 h  
**Heat output:** 3,3 - 8,4 kW / 11398 - 28490 BTU  
**Net weight:** 80,5 kg / 177,5 lbs  
**Air circulation:** min. 1/h  
**Minimum room size:**  
 please contact our Project Department for details  
**Power supply:** 230 V / 115 V  
**Finish:**  
 TOP: brushed stainless steel / optional: RAL colours / optional: black powder coated steel,  
 CASING: galvanized steel, black powder coated steel,  
 GLASS SHIELD: tempered glass

### INSTALLATION:



# automatic inserts

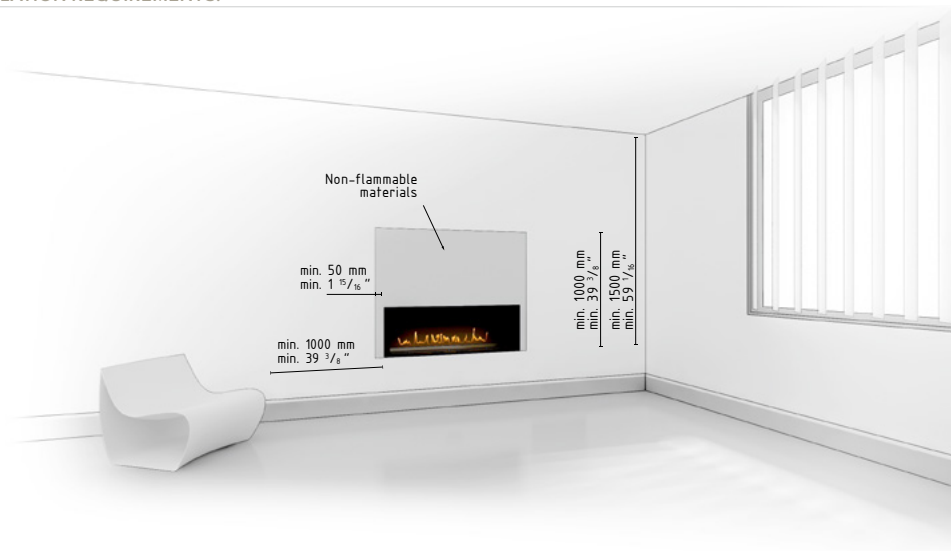
FLA 3 in casing C

## FLA3 XL IN CASING C

### BESPOKE MODELS:

Planika ensures top service. To live up to our clients' requirements, we have provided the possibility to produce bespoke models, according to the client's expectations. Length of the bio fireplace is customizable.

### INDOOR INSTALLATION REQUIREMENTS:



download [PRODUCT INSTRUCTION](#)